

**Features:**

- complete package for automatic operation of the borehole pump and with additional dry-run protection
- oil-filled asynchronous motor within stainless steel housing with thermal contact
- jacket cooling for continuous duty horizontal / emerged
- sealed with high-grade mechanical seal
- brass bearing shield
- stainless steel pump housing and motor shaft
- modern, powerful pump hydraulics with impellers and guide wheels made of wear-resistant plastic

**Application:**

- water pumping from deep wells and rainwater cisterns
- domestic water supply, garden irrigation
- agriculture

**Scope of delivery:**

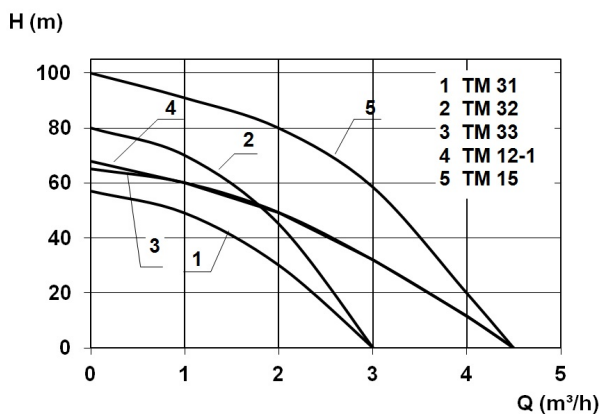
- pump with 20 m power cable and plug with integrated capacitor, power switch and motor protection
- electronic pressure switch with dry-run protection
- 10 m stainless steel rope with 4 rope clips
- non-return valve


**Product benefits:**

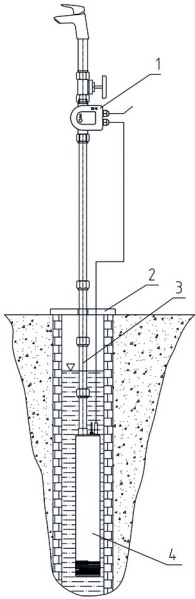
- complete package for automatic operation
- dry-run protection for additional safety included in the scope of delivery
- jacket cooling for continuous duty horizontal / emerged

**Technical data:**

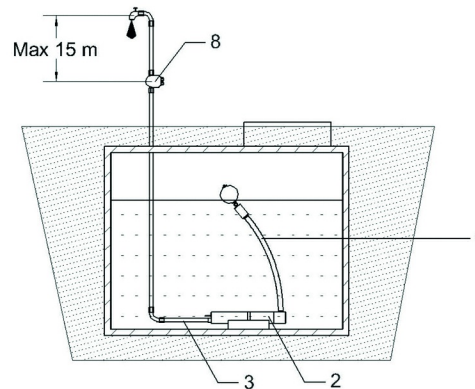
Art.no.	U [V]	P <sub>1</sub> [W]	P <sub>2</sub> [W]	I <sub>n</sub> [A]	n [min <sup>-1</sup> ]	Q <sub>max</sub> [m <sup>3</sup> /h]	H <sub>max</sub> [m]	PO	D [mm]	L [mm]	W [mm]	H [mm]	Weight [kg]
11909	230	2.100	1.200	9,3	2800	4,5	100,0	G 11/4	100	770	100	100	18,17

**Characteristics:**


**Example of installation:**



- |                 |                    |
|-----------------|--------------------|
| 1 Druckschalter | 3 Druckrohrleitung |
| 2 Brunnenkopf   | 4 Pumpe            |



- |                         |                                       |
|-------------------------|---------------------------------------|
| 1 schwimmende Entnahme  | 3 Druckrohrleitung                    |
| 2 Pumpe mit Auflagerung | 8 Druckschalter mit Trockenlaufschutz |