

### Features:

- complete package for automatic operation of the borehole pump and with additional dry-run protection
- oil-filled asynchronous motor within stainless steel housing with thermal contact
- jacket cooling for continuous duty horizontal / emerged
- sealed with high-grade mechanical seal
- brass bearing shield
- stainless steel pump housing and motor shaft
- modern, powerful pump hydraulics with impellers and guide wheels made of wear-resistant plastic

### Application:

- water pumping from deep wells and rainwater cisterns
- domestic water supply, garden irrigation
- agriculture

### Scope of delivery:

- pump with 20 m power cable and plug with integrated capacitor, power switch and motor protection
- electronic pressure switch with dry-run protection
- 10 m stainless steel rope with 4 rope clips
- non-return valve



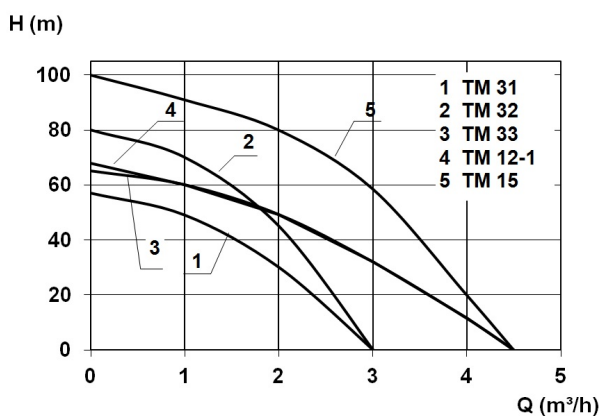
### Product benefits:

- complete package for automatic operation
- dry-run protection for additional safety included in the scope of delivery
- jacket cooling for continuous duty horizontal / emerged

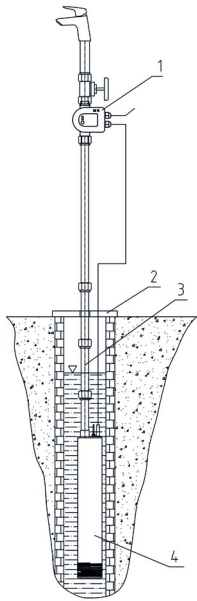
### Technical data:

Art.no.	U [V]	P <sub>1</sub> [W]	P <sub>2</sub> [W]	I <sub>n</sub> [A]	n [min <sup>-1</sup> ]	Q <sub>max</sub> [m <sup>3</sup> /h]	H <sub>max</sub> [m]	P0	Weight [kg]
11982	230	1.130	640	5,2	2800	4,5	65,0	G1	16

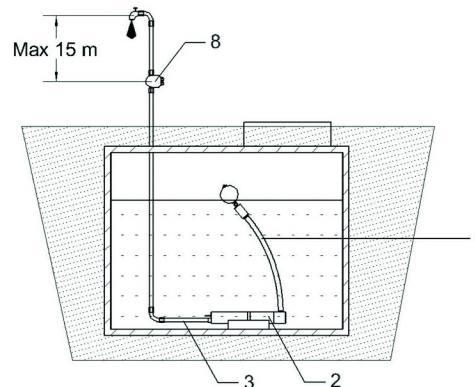
### Characteristics:



**Example of installation:**



- |                 |                    |
|-----------------|--------------------|
| 1 Druckschalter | 3 Druckrohrleitung |
| 2 Brunnenkopf   | 4 Pumpe            |



- |                         |                                       |
|-------------------------|---------------------------------------|
| 1 schwimmende Entnahme  | 3 Druckrohrleitung                    |
| 2 Pumpe mit Auflagerung | 8 Druckschalter mit Trockenlaufschutz |