

Features:

- Fully automatic pressure boosting system
- Speed controlled
- Base plate version
- Membrane pressure vessel approved for drinking water on the pressure side as a control vessel, flow through according to DIN 4807-5, with stopcock and drainage valve
- vertical high-pressure pumps with speed control
- Reliable operation due to hydraulic components made of stainless steel / brass
- Check valve
- Pressure gauge for pressure indication
- Electronic dry run protection
- Pressure sensor on both sides
- Vibration damping
- Electric motor, protection class IP55, efficiency class IE5 according to IEC 60034-30
- Error message contact per pump


Application:

- Pressure increase
- Pumping of drinking water, process water, cooling water & liquids that do not chemically or mechanically attack the materials

Scope of delivery:

- Pump with control
- Expansion tank
- Base plate for safe installation

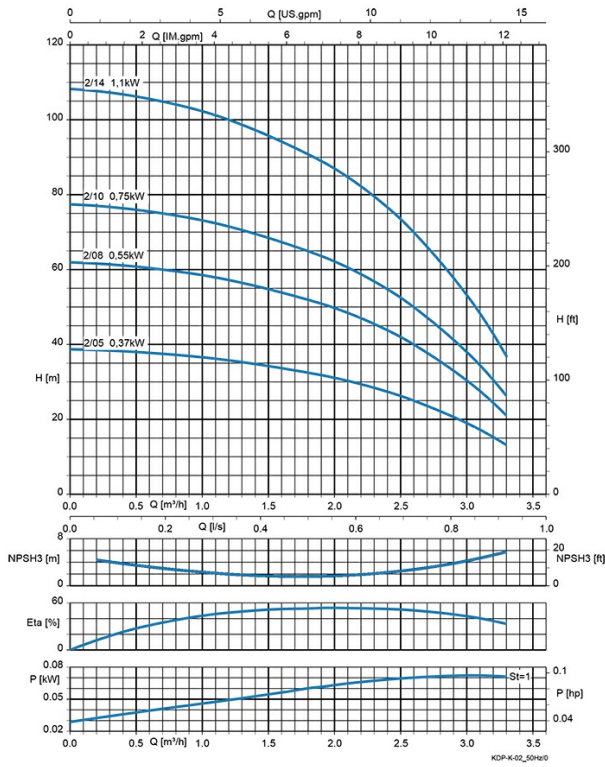
Product benefits:

- Energy-efficient operation and constant pressure through speed control of the pump
- Suitable for drinking water through production under strict hygienic conditions
- Simple and fast commissioning due to ready-to-connect, pre-assembled and tested system
- Corrosion-resistant due to powder-coated materials and stainless steel
- Operational safety due to built-in dry-running protection
- Avoidance of damage to the piping system in the 3~400 V version through piping filling function
- Remote monitoring of the plant through connection to building control system

Technical data:

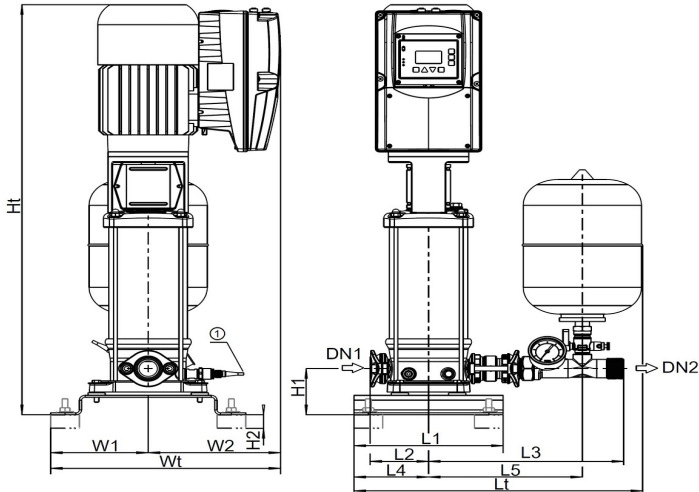
| Art.no. | U [V] | P ₁ [W] | I _n [A] | n [min ⁻¹] | Q _{max} [m ³ /h] | H _{max} [m] | P _O | L [mm] | W [mm] | H [mm] | Weight [kg] |
|---------|----------|-----------------------|-----------------------|---------------------------|-----------------------------------------|-------------------------|----------------|-----------|-----------|-----------|----------------|
| 21891 | 400 | 550 | 1,6 | 2900 | 3,25 | 62 | G 11/4 | 503 | 170 | 718 | 56 |

Characteristics:



Materials:

| | |
|------------------------|------------------------|
| Seal motor: | mechanical seal |
| Material pump housing: | stainless steel 1.4308 |

Dimensions:


| Pump(s) | Type | Stages | DN 1 [mm] | DN 2 [mm] | L1 [mm] | L2 [mm] | L3 [mm] | L4 [mm] | L5 [mm] | Lt [mm] | H1 [mm] | H2 [mm] | Ht [mm] | W1 [mm] | W2 [mm] | Wt [mm] |
|---------|------|--------|-----------|-----------|---------|---------|---------|---------|---------|---------|---------|---------|---------|---------|---------|---------|
| 1 | 02 | 05 | G 1 1/4 | G 1 1/4 | 260 | 102 | 340 | 130 | 268 | 503 | 95 | 28 | 643 | 170 | 220 | 390 |
| 1 | 02 | 08 | G 1 1/4 | G 1 1/4 | 260 | 102 | 340 | 130 | 268 | 503 | 95 | 28 | 718 | 170 | 220 | 390 |
| 1 | 02 | 10 | G 1 1/4 | G 1 1/4 | 260 | 102 | 340 | 130 | 268 | 503 | 95 | 28 | 761 | 170 | 235 | 405 |
| 1 | 02 | 14 | G 1 1/4 | G 1 1/4 | 260 | 102 | 340 | 130 | 268 | 503 | 95 | 28 | 847 | 170 | 235 | 405 |
| 1 | 04 | 02 | G 1 1/4 | G 1 1/4 | 260 | 102 | 340 | 130 | 268 | 503 | 95 | 28 | 579 | 170 | 220 | 390 |
| 1 | 04 | 04 | G 1 1/4 | G 1 1/4 | 260 | 102 | 340 | 130 | 268 | 503 | 95 | 28 | 622 | 170 | 220 | 390 |
| 1 | 04 | 05 | G 1 1/4 | G 1 1/4 | 260 | 102 | 340 | 130 | 268 | 503 | 95 | 28 | 653 | 170 | 235 | 405 |
| 1 | 04 | 07 | G 1 1/4 | G 1 1/4 | 260 | 102 | 340 | 130 | 268 | 503 | 95 | 28 | 698 | 170 | 235 | 405 |
| 1 | 04 | 10 | G 1 1/4 | G 1 1/4 | 260 | 102 | 340 | 130 | 268 | 503 | 95 | 28 | 783 | 170 | 240 | 210 |
| 1 | 04 | 14 | G 1 1/4 | G 1 1/4 | 260 | 102 | 340 | 130 | 268 | 503 | 95 | 28 | 893 | 170 | 230 | 400 |
| 1 | 06 | 02 | G 1 1/4 | G 1 1/4 | 260 | 102 | 340 | 130 | 268 | 503 | 95 | 28 | 586 | 170 | 220 | 390 |
| 1 | 06 | 03 | G 1 1/4 | G 1 1/4 | 260 | 102 | 340 | 130 | 268 | 503 | 95 | 28 | 621 | 170 | 235 | 405 |
| 1 | 06 | 05 | G 1 1/4 | G 1 1/4 | 260 | 102 | 340 | 130 | 268 | 503 | 95 | 28 | 671 | 170 | 235 | 405 |
| 1 | 06 | 07 | G 1 1/4 | G 1 1/4 | 260 | 102 | 340 | 130 | 268 | 503 | 95 | 28 | 743 | 170 | 240 | 410 |
| 1 | 06 | 10 | G 1 1/4 | G 1 1/4 | 260 | 102 | 340 | 130 | 268 | 503 | 95 | 28 | 842 | 170 | 230 | 400 |
| 1 | 06 | 14 | G 1 1/4 | G 1 1/4 | 260 | 102 | 340 | 130 | 268 | 503 | 95 | 28 | 982 | 170 | 240 | 410 |
| 1 | 10 | 02 | G 1 1/2 | G 1 1/2 | 340 | 129 | 379 | 170 | 309 | 584 | 125 | 28 | 666 | 190 | 235 | 425 |
| 1 | 10 | 03 | G 1 1/2 | G 1 1/2 | 340 | 129 | 379 | 170 | 309 | 584 | 125 | 28 | 692 | 190 | 235 | 425 |
| 1 | 10 | 04 | G 1 1/2 | G 1 1/2 | 340 | 129 | 379 | 170 | 309 | 584 | 125 | 28 | 741 | 190 | 240 | 430 |
| 1 | 10 | 06 | G 1 1/2 | G 1 1/2 | 340 | 129 | 379 | 170 | 309 | 584 | 125 | 28 | 818 | 190 | 230 | 420 |
| 1 | 10 | 08 | G 1 1/2 | G 1 1/2 | 340 | 129 | 379 | 170 | 309 | 584 | 125 | 28 | 911 | 190 | 240 | 430 |
| 1 | 10 | 11 | G 1 1/2 | G 1 1/2 | 340 | 129 | 379 | 170 | 309 | 584 | 125 | 28 | 1011 | 190 | 255 | 445 |
| 1 | 15 | 02 | G 2 | G 2 | 340 | 129 | 379 | 170 | 309 | 584 | 125 | 28 | 688 | 190 | 230 | 420 |
| 1 | 15 | 03 | G 2 | G 2 | 340 | 129 | 379 | 170 | 309 | 584 | 125 | 28 | 778 | 190 | 240 | 430 |
| 1 | 15 | 04 | G 2 | G 2 | 340 | 129 | 379 | 170 | 309 | 584 | 125 | 28 | 826 | 190 | 255 | 445 |
| 1 | 15 | 06 | G 2 | G 2 | 340 | 129 | 379 | 170 | 309 | 584 | 125 | 28 | 981 | 190 | 310 | 500 |
| 1 | 15 | 08 | G 2 | G 2 | 340 | 129 | 379 | 170 | 309 | 584 | 125 | 28 | 1093 | 190 | 330 | 520 |