

**Features:**

- Fully automatic pressure boosting system
- Speed controlled
- Base plate version
- Membrane pressure vessel approved for drinking water on the pressure side as a control vessel, flow through according to DIN 4807-5, with stopcock and drainage valve
- vertical high-pressure pumps with speed control
- Reliable operation due to hydraulic components made of stainless steel / brass
- Check valve
- Pressure gauge for pressure indication
- Electronic dry run protection
- Pressure sensor on both sides
- Vibration damping
- Electric motor, protection class IP55, efficiency class IE5 according to IEC 60034-30
- Error message contact per pump

**Application:**

- Pressure increase
- Pumping of drinking water, process water, cooling water & liquids that do not chemically or mechanically attack the materials

**Scope of delivery:**

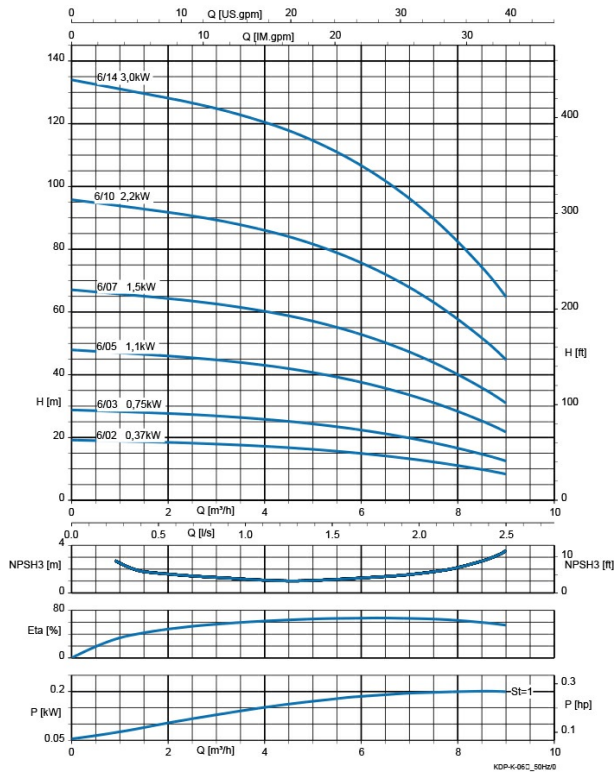
- Pump with control
- Expansion tank
- Base plate for safe installation


**Product benefits:**

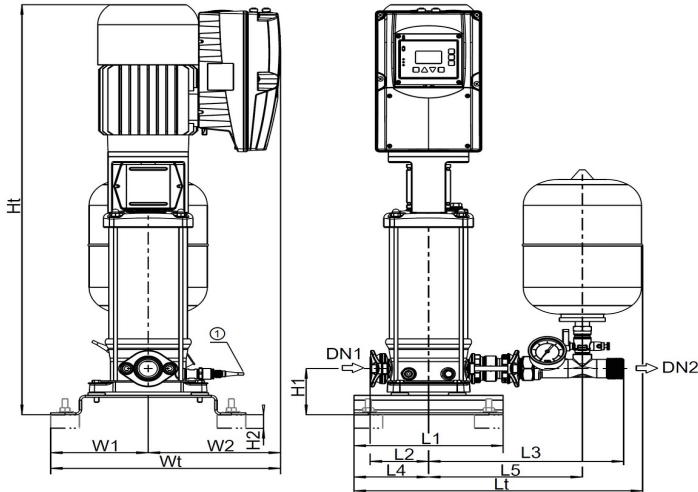
- Energy-efficient operation and constant pressure through speed control of the pump
- Suitable for drinking water through production under strict hygienic conditions
- Simple and fast commissioning due to ready-to-connect, pre-assembled and tested system
- Corrosion-resistant due to powder-coated materials and stainless steel
- Operational safety due to built-in dry-running protection
- Avoidance of damage to the piping system in the 3~400 V version through piping filling function
- Remote monitoring of the plant through connection to building control system

**Technical data:**

| Art.no. | U<br>[V] | P <sub>i</sub><br>[W] | I <sub>n</sub><br>[A] | n<br>[min <sup>-1</sup> ] | Q <sub>max</sub><br>[m <sup>3</sup> /h] | H <sub>max</sub><br>[m] | P <sub>O</sub> | L<br>[mm] | W<br>[mm] | H<br>[mm] | Weight<br>[kg] |
|---------|----------|-----------------------|-----------------------|---------------------------|---|-------------------------|----------------|-----------|-----------|-----------|----------------|
| 21902   | 400      | 1100                  | 3                     | 2900                      | 9                                       | 47                      | G 11/4         | 503       | 170       | 671       | 62             |

**Characteristics:**

**Materials:**

|                        |                        |
|------------------------|------------------------|
| Seal motor:            | mechanical seal        |
| Material pump housing: | stainless steel 1.4308 |

**Dimensions:**


| Pump(s) | Type | Stages | DN 1 [mm] | DN 2 [mm] | L1 [mm] | L2 [mm] | L3 [mm] | L4 [mm] | L5 [mm] | Lt [mm] | H1 [mm] | H2 [mm] | Ht [mm] | W1 [mm] | W2 [mm] | Wt [mm] |
|---------|------|--------|-----------|-----------|---------|---------|---------|---------|---------|---------|---------|---------|---------|---------|---------|---------|
| 1       | 02   | 05     | G 1 1/4   | G 1 1/4   | 260     | 102     | 340     | 130     | 268     | 503     | 95      | 28      | 643     | 170     | 220     | 390     |
| 1       | 02   | 08     | G 1 1/4   | G 1 1/4   | 260     | 102     | 340     | 130     | 268     | 503     | 95      | 28      | 718     | 170     | 220     | 390     |
| 1       | 02   | 10     | G 1 1/4   | G 1 1/4   | 260     | 102     | 340     | 130     | 268     | 503     | 95      | 28      | 761     | 170     | 235     | 405     |
| 1       | 02   | 14     | G 1 1/4   | G 1 1/4   | 260     | 102     | 340     | 130     | 268     | 503     | 95      | 28      | 847     | 170     | 235     | 405     |
| 1       | 04   | 02     | G 1 1/4   | G 1 1/4   | 260     | 102     | 340     | 130     | 268     | 503     | 95      | 28      | 579     | 170     | 220     | 390     |
| 1       | 04   | 04     | G 1 1/4   | G 1 1/4   | 260     | 102     | 340     | 130     | 268     | 503     | 95      | 28      | 622     | 170     | 220     | 390     |
| 1       | 04   | 05     | G 1 1/4   | G 1 1/4   | 260     | 102     | 340     | 130     | 268     | 503     | 95      | 28      | 653     | 170     | 235     | 405     |
| 1       | 04   | 07     | G 1 1/4   | G 1 1/4   | 260     | 102     | 340     | 130     | 268     | 503     | 95      | 28      | 698     | 170     | 235     | 405     |
| 1       | 04   | 10     | G 1 1/4   | G 1 1/4   | 260     | 102     | 340     | 130     | 268     | 503     | 95      | 28      | 783     | 170     | 240     | 210     |
| 1       | 04   | 14     | G 1 1/4   | G 1 1/4   | 260     | 102     | 340     | 130     | 268     | 503     | 95      | 28      | 893     | 170     | 230     | 400     |
| 1       | 06   | 02     | G 1 1/4   | G 1 1/4   | 260     | 102     | 340     | 130     | 268     | 503     | 95      | 28      | 586     | 170     | 220     | 390     |
| 1       | 06   | 03     | G 1 1/4   | G 1 1/4   | 260     | 102     | 340     | 130     | 268     | 503     | 95      | 28      | 621     | 170     | 235     | 405     |
| 1       | 06   | 05     | G 1 1/4   | G 1 1/4   | 260     | 102     | 340     | 130     | 268     | 503     | 95      | 28      | 671     | 170     | 235     | 405     |
| 1       | 06   | 07     | G 1 1/4   | G 1 1/4   | 260     | 102     | 340     | 130     | 268     | 503     | 95      | 28      | 743     | 170     | 240     | 410     |
| 1       | 06   | 10     | G 1 1/4   | G 1 1/4   | 260     | 102     | 340     | 130     | 268     | 503     | 95      | 28      | 842     | 170     | 230     | 400     |
| 1       | 06   | 14     | G 1 1/4   | G 1 1/4   | 260     | 102     | 340     | 130     | 268     | 503     | 95      | 28      | 982     | 170     | 240     | 410     |
| 1       | 10   | 02     | G 1 1/2   | G 1 1/2   | 340     | 129     | 379     | 170     | 309     | 584     | 125     | 28      | 666     | 190     | 235     | 425     |
| 1       | 10   | 03     | G 1 1/2   | G 1 1/2   | 340     | 129     | 379     | 170     | 309     | 584     | 125     | 28      | 692     | 190     | 235     | 425     |
| 1       | 10   | 04     | G 1 1/2   | G 1 1/2   | 340     | 129     | 379     | 170     | 309     | 584     | 125     | 28      | 741     | 190     | 240     | 430     |
| 1       | 10   | 06     | G 1 1/2   | G 1 1/2   | 340     | 129     | 379     | 170     | 309     | 584     | 125     | 28      | 818     | 190     | 230     | 420     |
| 1       | 10   | 08     | G 1 1/2   | G 1 1/2   | 340     | 129     | 379     | 170     | 309     | 584     | 125     | 28      | 911     | 190     | 240     | 430     |
| 1       | 10   | 11     | G 1 1/2   | G 1 1/2   | 340     | 129     | 379     | 170     | 309     | 584     | 125     | 28      | 1011    | 190     | 255     | 445     |
| 1       | 15   | 02     | G 2       | G 2       | 340     | 129     | 379     | 170     | 309     | 584     | 125     | 28      | 688     | 190     | 230     | 420     |
| 1       | 15   | 03     | G 2       | G 2       | 340     | 129     | 379     | 170     | 309     | 584     | 125     | 28      | 778     | 190     | 240     | 430     |
| 1       | 15   | 04     | G 2       | G 2       | 340     | 129     | 379     | 170     | 309     | 584     | 125     | 28      | 826     | 190     | 255     | 445     |
| 1       | 15   | 06     | G 2       | G 2       | 340     | 129     | 379     | 170     | 309     | 584     | 125     | 28      | 981     | 190     | 310     | 500     |
| 1       | 15   | 08     | G 2       | G 2       | 340     | 129     | 379     | 170     | 309     | 584     | 125     | 28      | 1093    | 190     | 330     | 520     |