

Features:

- Fully automatic pressure boosting system
- Speed controlled
- Base plate version
- Membrane pressure vessel approved for drinking water on the pressure side as a control vessel, flow through according to DIN 4807-5, with stopcock and drainage valve
- 2 vertical high-pressure pumps with speed control
- Reliable operation due to hydraulic components made of stainless steel / brass
- Check valve for each pump
- Pressure gauge for pressure indication
- Electronic dry run protection
- Pressure sensor on both sides
- Vibration damping
- Electric motor, protection class IP55, efficiency class IE5 according to IEC 60034-30
- Error message contact per pump

Application:

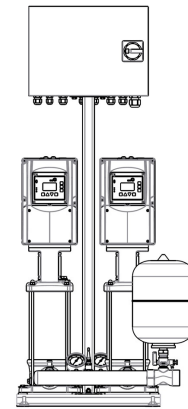
- Pressure increase
- Pumping of drinking water, process water, cooling water & liquids that do not chemically or mechanically attack the materials

Scope of delivery:

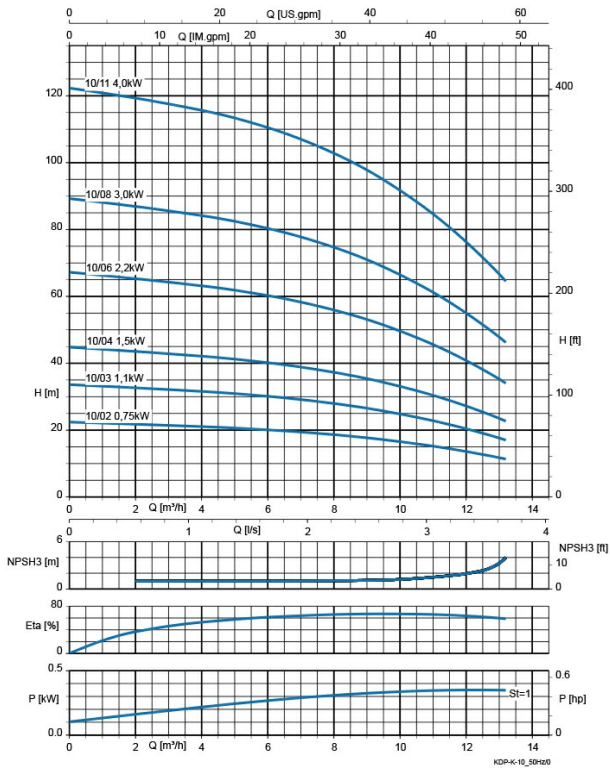
- Pumps with control
- Expansion tank
- Base plate for safe installation
- Discharge side gate valve per pump
- Suction side gate valve per pump
- Suction and pressure side collecting pipe made of stainless steel

Technical data:

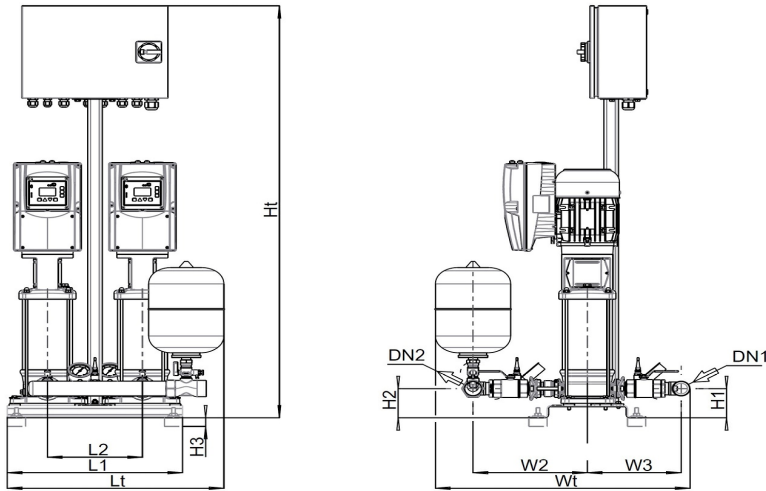
| Art.no. | U [V] | P ₁ [W] | I _n [A] | n [min ⁻¹] | Q _{max} [m ³ /h] | H _{max} [m] | P0 | L [mm] | W [mm] | H [mm] | Weight [kg] |
|---------|----------|-----------------------|-----------------------|---------------------------|---|-------------------------|----|-----------|-----------|-----------|----------------|
| 21935 | 400 | 1500 | 4,1 | 2900 | 13 | 44 | G2 | 740 | 805 | 1340 | 152 |


Product benefits:

- Energy-efficient operation and constant pressure through speed control of all pumps
- Suitable for drinking water due to production under strict hygienic conditions (German drinking water approval)
- Simple and fast commissioning due to ready-to-connect, pre-assembled and tested system
- Corrosion-resistant due to powder-coated materials and stainless steel
- Operational safety due to built-in dry-running protection
- Avoidance of damage to the piping system in the 3~400 V version through piping filling function
- Remote monitoring of the plant through connection to building control system

Characteristics:

Materials:

| | |
|------------------------|------------------------|
| Seal motor: | mechanical seal |
| Material pump housing: | stainless steel 1.4308 |

Dimensions:


| Pump(s) | Type | Stages | DN 1 | DN 2 | L1 [mm] | L2 [mm] | Lt [mm] | H1 [mm] | H2 [mm] | Ht [mm] | W1 [mm] | W2 [mm] | W3 [mm] | Wt [mm] |
|---------|------|--------|------------|------------|---------|---------|---------|---------|---------|---------|---------|---------|---------|---------|
| 2 | 02 | 05 | G 1 1/2 | G 1 1/2 | 480 | 260 | 595 | 95 | 95 | 1040 | 320 | 291 | 235 | 655 |
| 2 | 02 | 08 | G 1 1/2 | G 1 1/2 | 480 | 260 | 595 | 95 | 95 | 1340 | 320 | 291 | 235 | 655 |
| 2 | 02 | 10 | G 1 1/2 | G 1 1/2 | 480 | 260 | 595 | 95 | 95 | 1340 | 320 | 291 | 235 | 655 |
| 2 | 02 | 14 | G 1 1/2 | G 1 1/2 | 480 | 260 | 595 | 95 | 95 | 1340 | 320 | 291 | 235 | 655 |
| 2 | 04 | 02 | G 1 1/2 | G 1 1/2 | 480 | 260 | 595 | 95 | 95 | 1040 | 320 | 291 | 235 | 655 |
| 2 | 04 | 04 | G 1 1/2 | G 1 1/2 | 480 | 260 | 595 | 95 | 95 | 1040 | 320 | 291 | 235 | 655 |
| 2 | 04 | 05 | G 1 1/2 | G 1 1/2 | 480 | 260 | 595 | 95 | 95 | 1040 | 320 | 291 | 235 | 655 |
| 2 | 04 | 07 | G 1 1/2 | G 1 1/2 | 480 | 260 | 595 | 95 | 95 | 1340 | 320 | 291 | 235 | 655 |
| 2 | 04 | 10 | G 1 1/2 | G 1 1/2 | 480 | 260 | 595 | 95 | 95 | 1340 | 320 | 291 | 235 | 655 |
| 2 | 04 | 14 | G 1 1/2 | G 1 1/2 | 480 | 260 | 595 | 95 | 95 | 1340 | 320 | 291 | 235 | 655 |
| 2 | 06 | 02 | G 1 1/2 | G 1 1/2 | 480 | 260 | 595 | 95 | 95 | 1040 | 320 | 305 | 249 | 683 |
| 2 | 06 | 03 | G 1 1/2 | G 1 1/2 | 480 | 260 | 595 | 95 | 95 | 1040 | 320 | 305 | 249 | 683 |
| 2 | 06 | 05 | G 1 1/2 | G 1 1/2 | 480 | 260 | 595 | 95 | 95 | 1040 | 320 | 305 | 249 | 683 |
| 2 | 06 | 07 | G 1 1/2 | G 1 1/2 | 480 | 260 | 595 | 95 | 95 | 1340 | 320 | 305 | 249 | 683 |
| 2 | 06 | 10 | G 1 1/2 | G 1 1/2 | 480 | 260 | 595 | 95 | 95 | 1340 | 320 | 305 | 249 | 683 |
| 2 | 06 | 14 | G 1 1/2 | G 1 1/2 | 480 | 260 | 595 | 95 | 95 | 1340 | 320 | 305 | 249 | 683 |
| 2 | 10 | 02 | G 2 | G 2 | 640 | 340 | 740 | 125 | 125 | 1040 | 360 | 373 | 297 | 805 |
| 2 | 10 | 03 | G 2 | G 2 | 640 | 340 | 740 | 125 | 125 | 1340 | 360 | 373 | 297 | 805 |
| 2 | 10 | 04 | G 2 | G 2 | 640 | 340 | 740 | 125 | 125 | 1340 | 360 | 373 | 297 | 805 |
| 2 | 10 | 06 | G 2 | G 2 | 640 | 340 | 740 | 125 | 125 | 1340 | 360 | 373 | 297 | 805 |
| 2 | 10 | 08 | G 2 | G 2 | 640 | 340 | 740 | 125 | 125 | 1340 | 360 | 373 | 297 | 805 |
| 2 | 10 | 11 | G 2 | G 2 | 640 | 340 | 740 | 125 | 125 | 1340 | 360 | 373 | 297 | 805 |
| 2 | 15 | 02 | NW65 PN 16 | NW65 PN 16 | 640 | 340 | 715 | 125 | 125 | 1340 | 360 | 408 | 332 | 938 |
| 2 | 15 | 03 | NW65 PN 16 | NW65 PN 16 | 640 | 340 | 715 | 125 | 125 | 1340 | 360 | 408 | 332 | 938 |
| 2 | 15 | 04 | NW65 PN 16 | NW65 PN 16 | 640 | 340 | 715 | 125 | 125 | 1340 | 360 | 408 | 332 | 938 |
| 2 | 15 | 06 | NW65 PN 16 | NW65 PN 16 | 640 | 340 | 715 | 125 | 125 | 1590 | 360 | 408 | 332 | 938 |
| 2 | 15 | 08 | NW65 PN 16 | NW65 PN 16 | 640 | 340 | 715 | 125 | 125 | 1590 | 360 | 408 | 332 | 938 |